

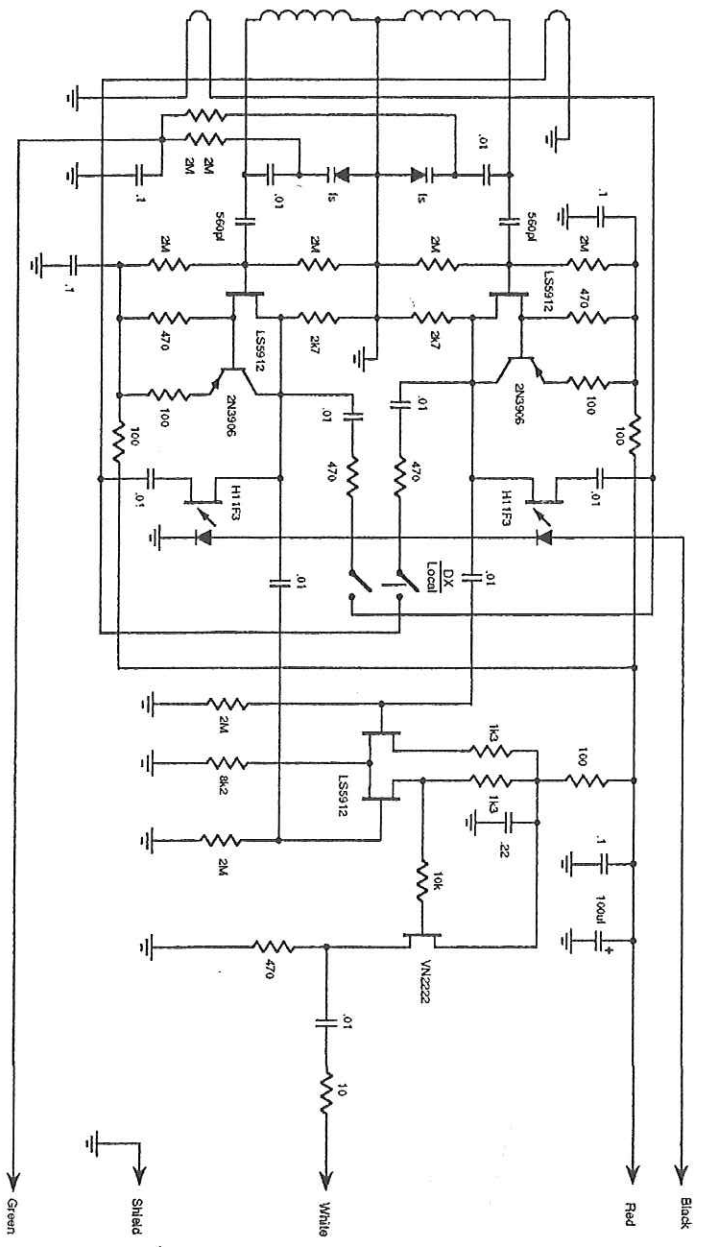
Note: fs = factory select

Control Surface

MW Loop Antenna

Kiwa Electronics
Version 1.1
© 1993-2000

H11F3M - FAIRCHILD PHOTOFET OPTO
 LS5912 - LINEAR - DUAL N CHANNEL JFET



Notes:
 fs = factory select component

| |
|------------------|
| Antenna Pre-amp |
| MW Loop Antenna |
| Kiwa Electronics |
| Version 1.2 |
| © 1995-2000 |